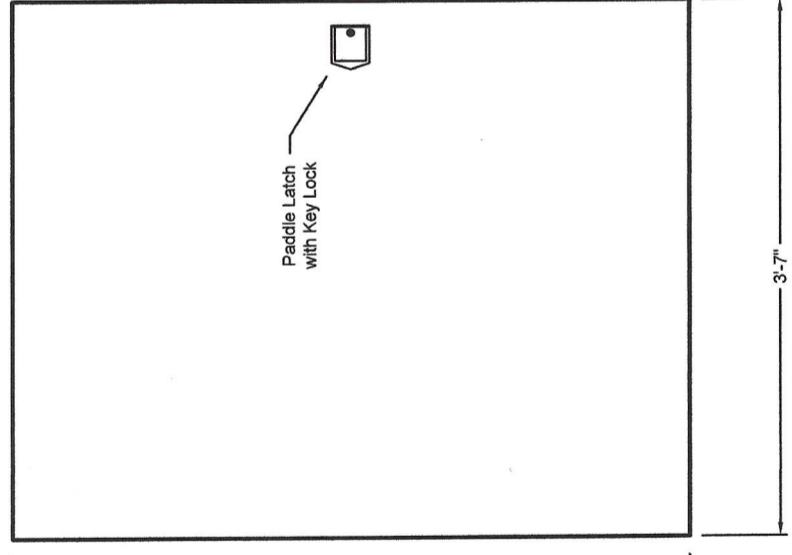
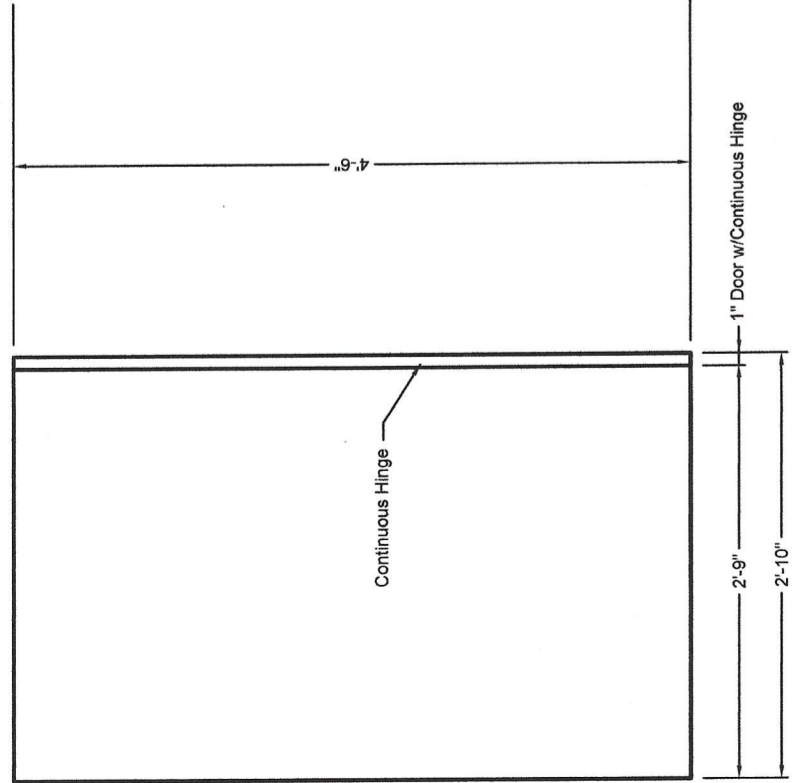


**TOP VIEW**



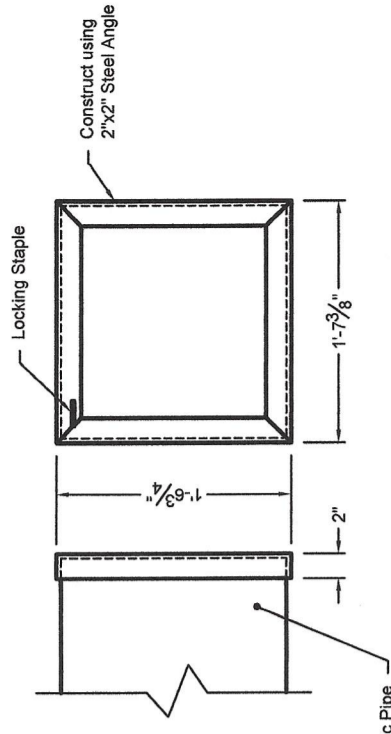
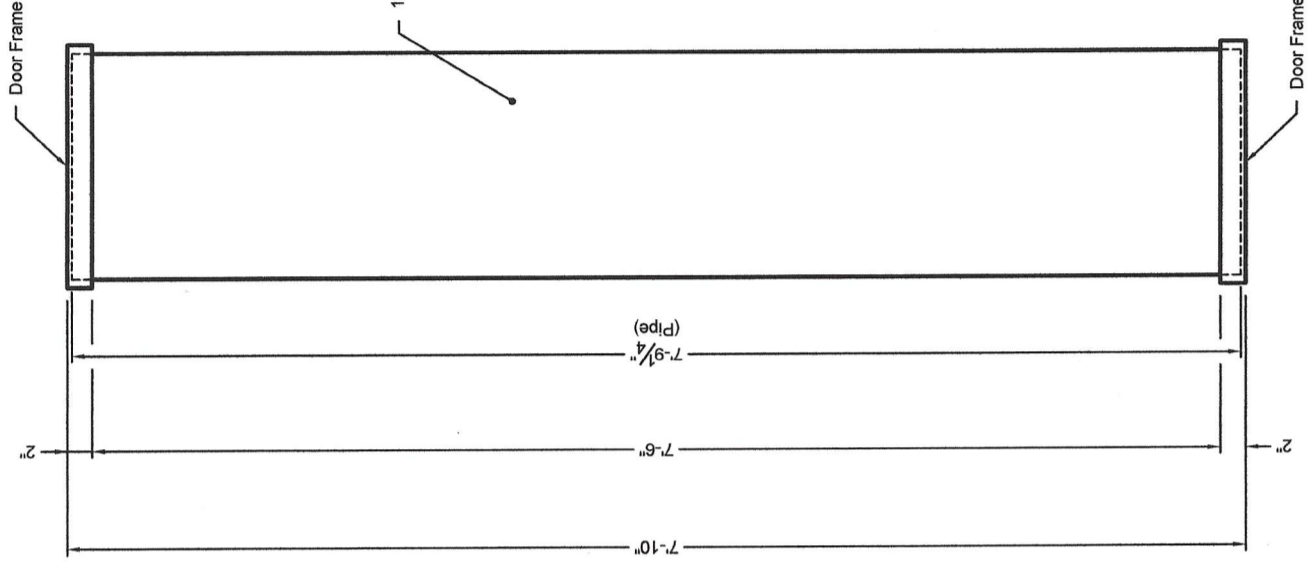
**FRONT VIEW**



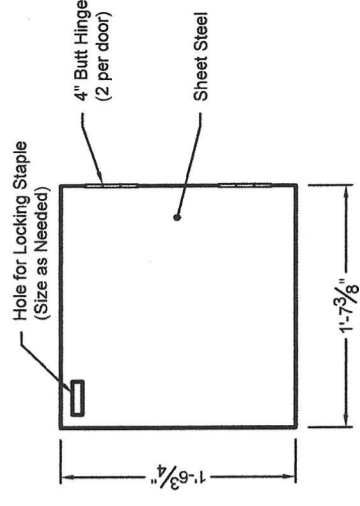
**LEFT VIEW**

**Custom Cabinet**  
(Left-Swinging Door)

- NOTES**
1. Custom Cabinets to be constructed using Aluminum Treadplate on the Box and Aluminum Sheet on the Doors.
  2. Two Custom Cabinets Required: One with Left-Swinging Door as shown and One with Right-Swinging Door.
  3. Cabinets shall have a Continuous Hinge on the Door.
  4. Cabinets shall have a Paddle Latch with Key Locking Mechanism.
  5. Tubular Storage Compartment Door Frames shall be welded in place to the Outside Band of the Trailer.



**DOOR FRAME**  
(2 Req'd)



**DOOR**  
(2 Req'd)

**Tubular Storage Compartment**

<b>KENTUCKY FIRE COMMISSION</b> 118 James Court Lexington, Kentucky 40505		
CONFINED SPACE PROP		
<b>DETAILS</b>		
Date: Aug. 2018	By: C.H.M.	Sheet: 7 of 9