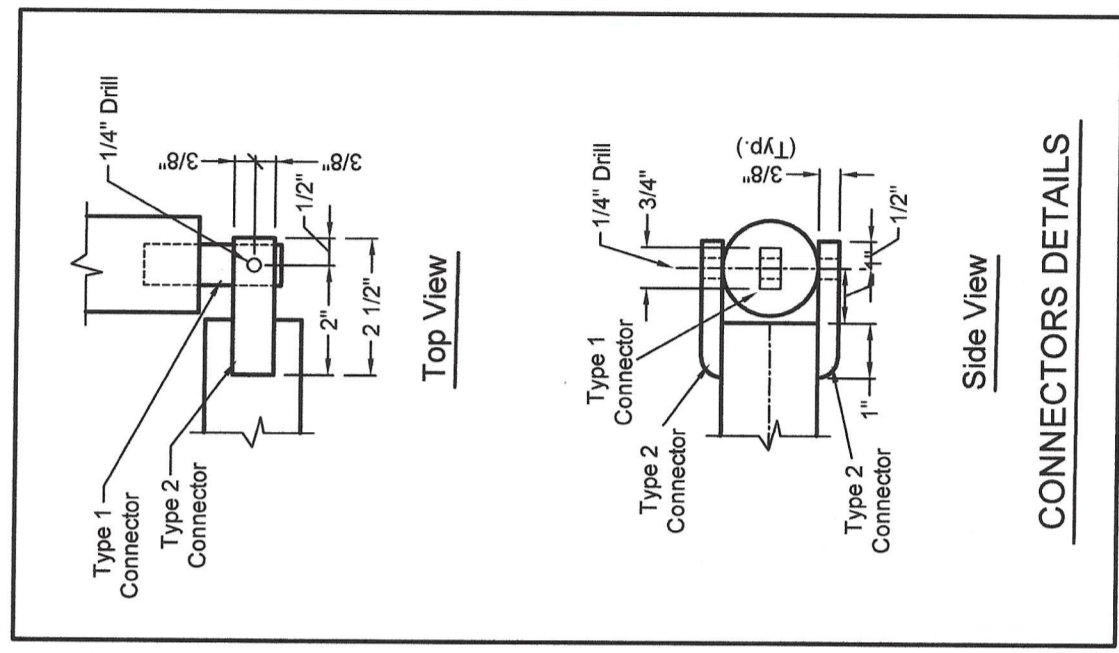
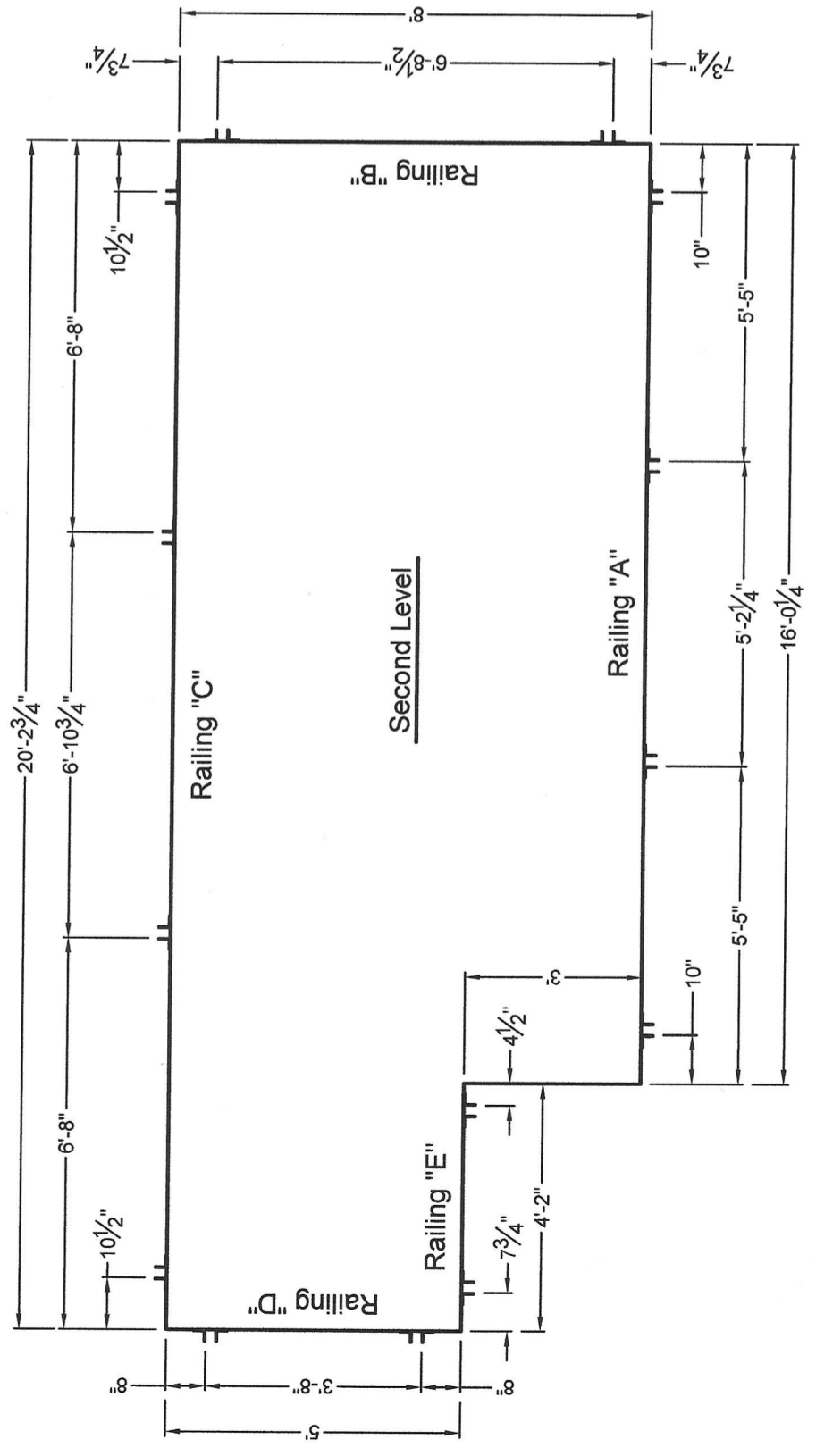


NOTES

1. Vertical dimensions are typical to all second level railings.
2. Ends of top railings must be welded shut.
3. Railings shall be connected using a Model #882694 Hillman 2.75-in Round Wire Lock Pin or equivalent.



KENTUCKY FIRE COMMISSION
 118 James Court
 Lexington, Kentucky 40505

CONFINED SPACE PROP

SECOND LEVEL RAILINGS

Date: Aug. 2018 By: C.H.M. Sheet: 6 of 9