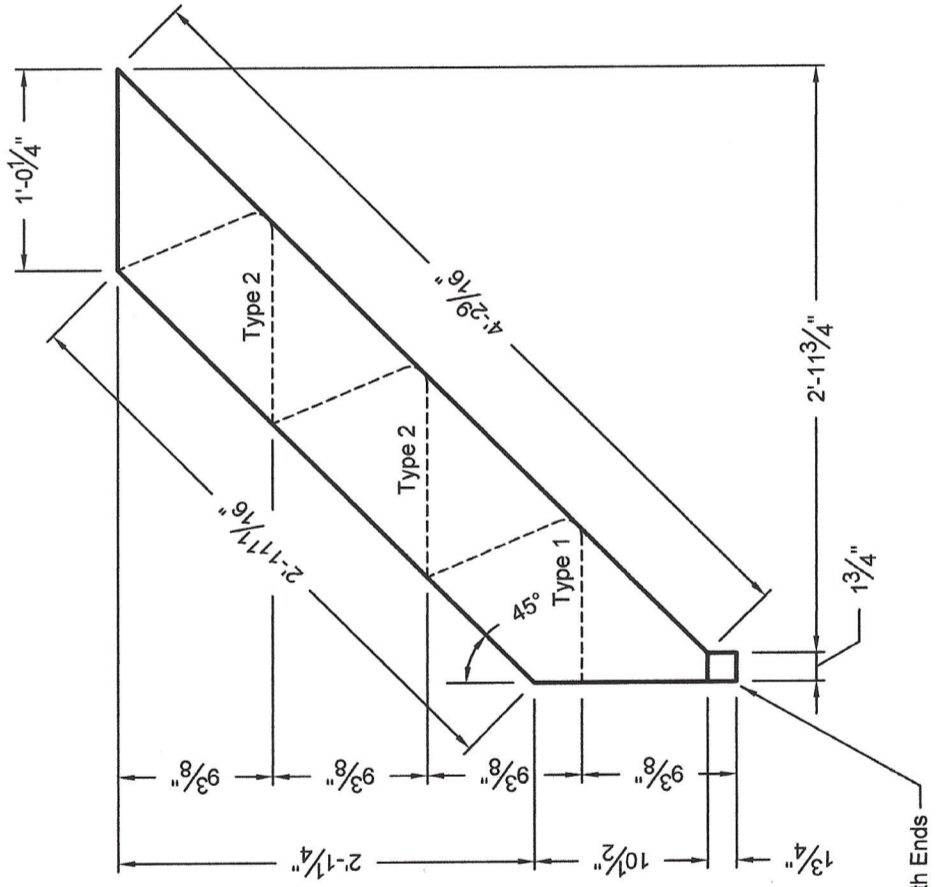
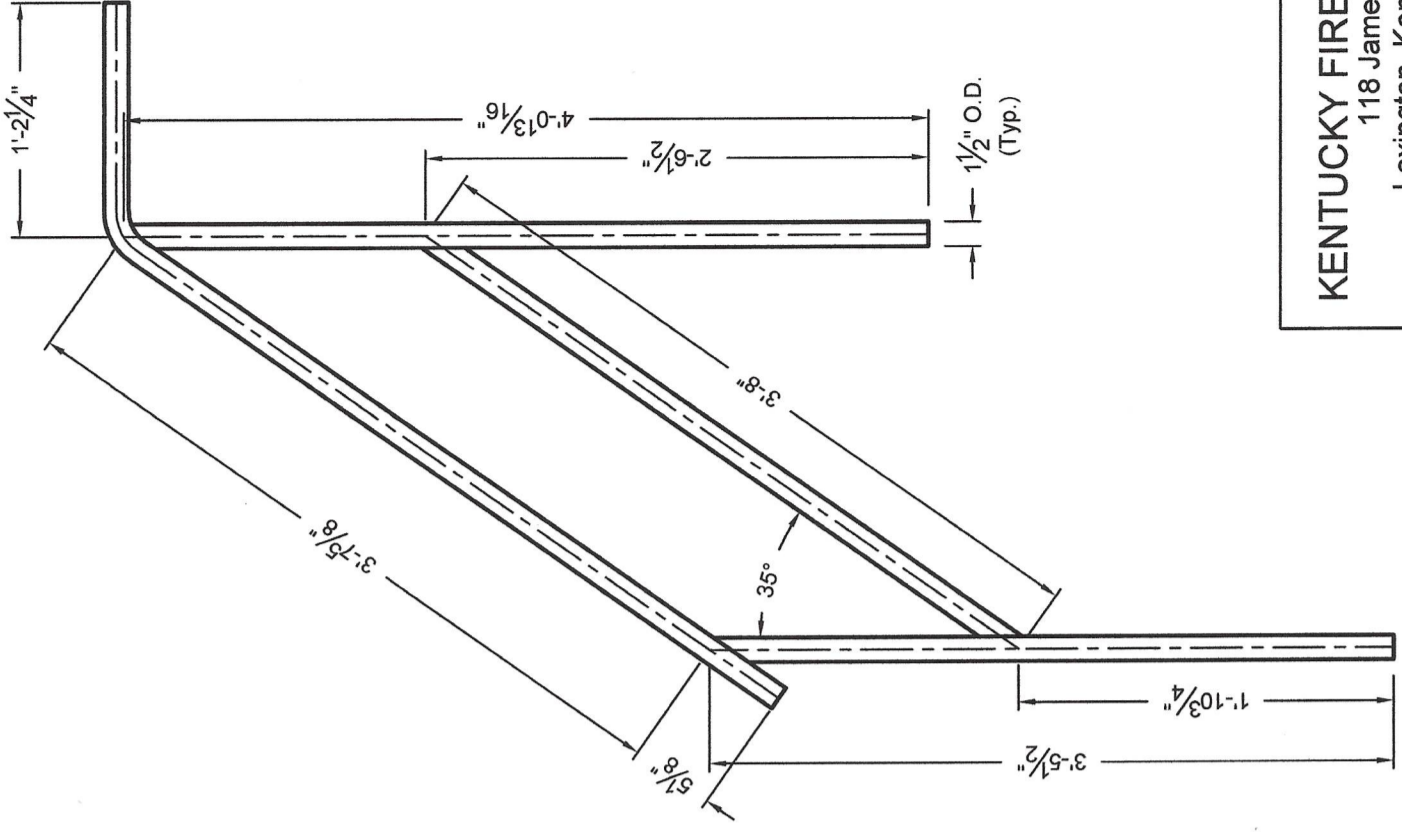
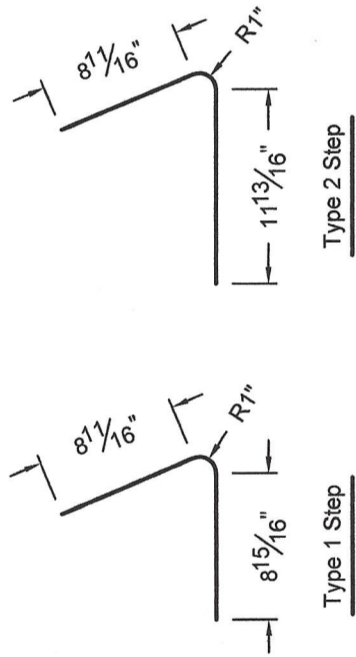


NOTE: Stair Railing Pockets are 1-3/4" dia. pipe with 1-3/4" x 1-3/4" x 1/4" stop plate on bottom.

Stair Railing Pockets Locations  
( 2 Required / Each Side )



1 3/4" Square Tube Closed On Both Ends

Front View

Stair Details  
(Ground to Main Floor)

Side View

Stair Railing  
( 2 Required )

KENTUCKY FIRE COMMISSION  
118 James Court  
Lexington, Kentucky 40505

CONFINED SPACE PROP

# STAIR DETAILS

(Ground to Main Floor)